

3D LINE LASER PROFILE MEASURING MACHINE CODE VIM-P140

NON-CONTACT SCANNING

HIGH SPEED MEASUREMENT

FLATNESS/HEIGHT
DIFFERENCE MEASUREMENT

CUSTOMIZED MADE

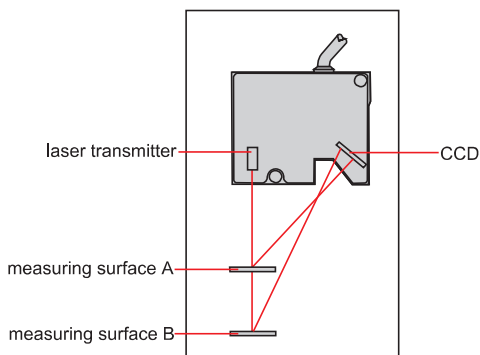


3D line laser scanning camera

- Flatness and height difference measurement of machinery, electronics, cell phones, molds, circuit boards and other products
- Full-range focusable optical system allows you to take pictures in focus range, even when the target height is changed
- Combing 2D and 3D data for complete detection; 2D data can be used for localization, code reading, character recognition, etc
- The software is automatically corrected for workpiece position deviation; multiple scanned images can be automatically spliced to achieve stable detection

CAMERA PRINCIPLE

line laser scanning camera measurement principle



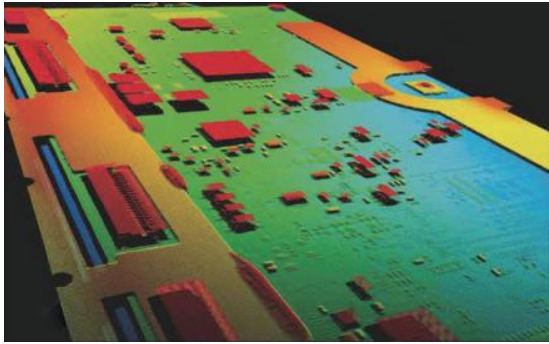
SPECIFICATION

Travel range XY	400×350mm
Repeat Positioning Accuracy	2μm
Measuring range of Z-axis	24mm
Width of X-axis	96mm
Accuracy of Z-axis	±0.02mm
Repeatability of Z-axis	±0.5μm
Scanning speed	2500~10000Hz
Power supply	220V, 50Hz
Weight	200kg
Dimension (L×W×H)	750×760×1400mm

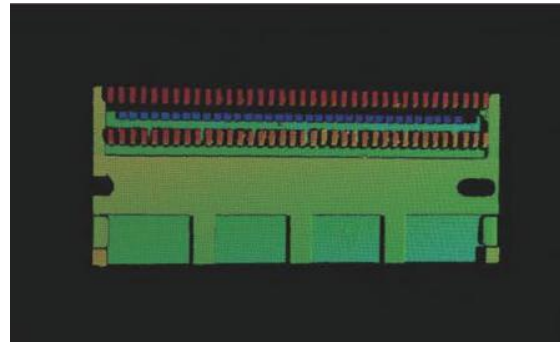
STANDARD DELIVERY

Main unit	1pc
Industrial computer	1pc
Display	1pc
Keyboard and mouse	1pc

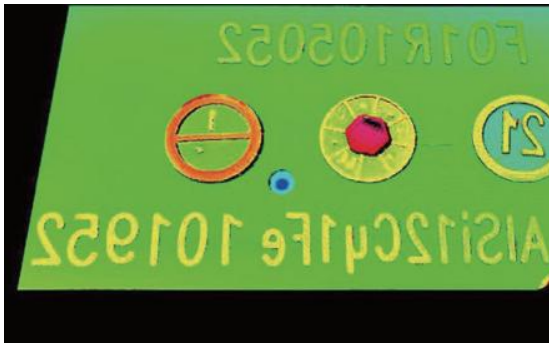
APPLICATION



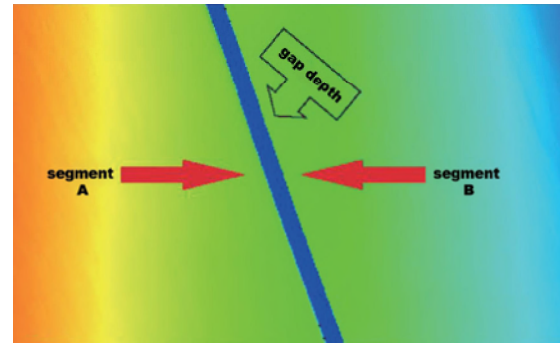
component height measurement on circuit boards



flatness and height difference measurement



character height measurement



gap depth measurement

MEASURING SOFTWARE (INCLUDED)

